

12.1" Panel Computer - PS4600 Series



12.1-inch TFT Color LCD
Panel Computer

| | |
|-------------|-----------|
| 100-240 Vac | 12.1-inch |
| 24 Vdc | |
| XGA | |

Models: PS4600 Series,
CPU: Celeron M 827E 1.40 GHz + 1.5 MB or
Intel® Core™ i3-3217UE 1.60 GHz + 3 MB

AC/DC Windows® O/S
SSD
WinGP



Features:

- 12.1-inch TFT Color LCD
- Hard Drive, **NEW!** CFAST Drive, SSD (Solid State Drive)
- UPS Battery options for data protection
- Touch Screen
- Up to 4 COM Ports

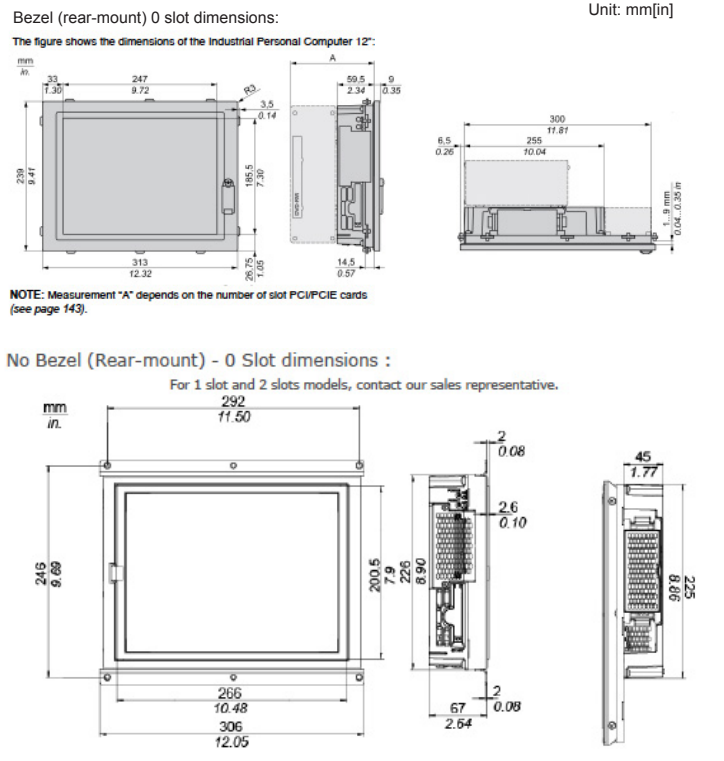
Performance Specifications

| | | | |
|------------------------------|------------------------------------------------------------------------------------------------------------------------------------------------------------------------------------------------------------------------------------------------------------------------------|---------------------------------------------------------|-------------------------|
| Model | PS4600 Series - Build to order (See reverse side for ordering information) | | |
| Expansion Slots | 0 Slot | 1 Slot | 2 Slots |
| | -- | 1 PCI or PCIe | 1 PCI + 1 PCIe or 2 PCI |
| Display Type and Size | 12.1" TFT Color LCD Display | | |
| Graphics Display Resolution | XGA TFT active matrix (1024 x 768 pixels) | | |
| Display Colors | 16 million | | |
| Display Area | W 245.76mm [9.68in.] x H 184.32mm [7.26in.] | | |
| Touch Screen | Resistive Film (Analog) | | |
| Intel® Chipset and Processor | Celeron M 827E 1.40 GHz 1.5 MB L2 Cache Intel® Core™ i3-3217UE 1.60 GHz 3 MB L2 Cache | | |
| Supported OS | Windows Embedded Standard 2009 MUI Windows XP Pro MUI Windows Embedded Standard 7 Premium MUI (32-bit) Windows 7 Ultimate MUI (32-bit) Windows 7 Ultimate MUI (64-bit) | | |
| Main Memory | 2 x DDR3 1066 MHz slots | | |
| Video Memory | Up to 1 GB (reserved from main memory) | | |
| Main Storage Drive | 1xSATA for 2.5 HDD/SSD | | |
| Fan | Fan (HDD) Fanless (SSD/CFAST) | | |
| Serial | 2x 232C 2x RS232C/422/485 (optional) | | |
| Ethernet | 2 x RJ45 / 10/100/1000 Mbit/s | | |
| USB | Front: 1x USB 2.0 Back: 4x USB 3.0 | Front: 1x USB 2.0 Back: 4x USB 3.0 | |
| Slide-in Disk | 1 slot equipped according to model and operating system Not equipped for models running Windows® Embedded Standard 2009 and Windows® Embedded Standard 7 Premium (32-bit) HDD or SSD drive for models running Windows® XP Professional or Windows® 7 Ultimate (32-bit) | | |
| Slide-in Slot | None | DVD-RW or HDD, SSD, CFAST Card through slide-in adaptor | |
| Weight | 4.0 kg (8.81 lb) | 4.1 kg (9.03 lb) | 4.2 kg (9.26 lb) |

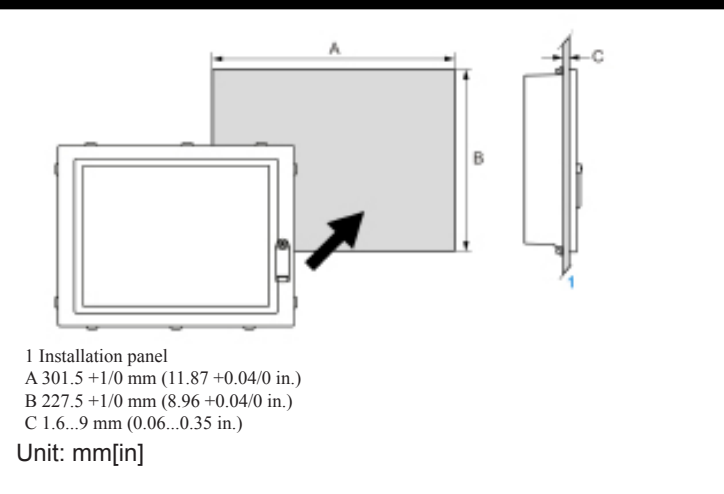
General Specifications

| Model Numbers | AC Models | DC Models |
|-------------------------------------|-----------------------------------------------------------------------------------------------------------------------------------------------------------------------------------------------------------------------------------------|------------------------------------------------------------------------------------------------|
| Input Voltage | 100 / 240 Vac (85 to 264 Vac) | 24 Vdc (19.2 to 28.8 Vdc) |
| Power Consumption | 130 W (max.) | |
| AC/DC Adapted Output Voltage | 24Vac +/- 10 | |
| Certification | UL 508 and CSA C22.2 N°142, , ANSI/ISA 12.12.01 and CSA C22.2 N°213, Class I, Division 2 Hazardous (Classified), Locations, GOST certification, RoHS, IP65 | |
| Ambient Temperature | 0...55 °C (32...131 °F), | |
| Storage Temperature | - 20...60 °C (- 4...140 °F) | |
| Relative Humidity | Operation: 5...90%, non-condensing, Storage and Transport: 5...90%, non-condensing | |
| Noise Immunity | Noise Voltage: 1500Vp-p, Pulse Duration: 50ns, 500ns, 1µs, Rise Time: 1ns (via noise simulator) | Noise Voltage: 1000Vp-p, Pulse Duration: 50ns, 500ns, 1µs Rise Time: 1ns (via noise simulator) |
| Cooling Method | Passive heat sink/Fan (if HDD installed) | |
| Electromagnetic Compatibility (EMC) | Immunity to High Frequency Interference/ Electromagnetic Emissions Class A | |
| Vibration Resistance | IACS E10 and EN/IEC 60068-2-6 Fc | |
| Vibration | Operation (continuous) 2...9 Hz: 1.75 mm amplitude / 9...150 Hz: 0.5 g Operation (occasional) 2...9 Hz: 3.5 mm amplitude / 9...150 Hz: 1 g Storage and Transport 2...8 Hz: 7.5 mm amplitude / 8...200 Hz: 2 g / 200...500 Hz: 4 g | |
| Weight | Up to Approx. 4.2 kg (9.26 lb) | |
| External Dimensions | 73.6 x 225.5 x 44.5 mm (2.89 x 8.87 x 1.75 in.) | |
| Warranty | Two (2) year | |

PS-4600 - External Dimensions



PS-4600 - Cut-Out Dimensions



Ordering Information

PS4600-V1- _ _ _ _ _

- Expansion Slot:
Blank..... 0 Slot
-1P 1 Slot - PCI
-1P1E..... 2 Slot - 1 PCI/1 PCI Express
-1E 1 PCI Express
-2P..... 2 Slot-2 PCI Slots
- CPU Type:
-CE Icore 3rd generation (Celeron M827E)²
-C3 I3 3rd generation dual core (Core i3-3217UE)
- Power Supply:
-A AC
-AB..... AC with Battery Backup
-D DC
-DB..... DC with Battery Backup
- Memory
-2G..... 2 GB in slot
-4G..... 4 GB in slot
-6G..... 4 GB/slot 1 + 2 GB/slot 2
-8G..... 8 GB
-12G..... 8 GB/slot 1 + 4GB/slot 2
-16G..... 8 GB/slot 1 + 8 GB/slot 2
- Operating System
-XP Windows XP MUI
-W732 Windows 7(32bit) Ultimate
-W764 Windows 7(64bit) Ultimate
-WES7 Windows Embedded 7
-WES9 Windows Embedded Standard 2009
- Main Storage Device:
Blank..... No Storage Device
-PSD Performance SSD (60 GB min.)
-SHD Standard HDD (500 GB min.)
-SSD Standard Capacity SSD (80 GB min.)
-HSD High Capacity SSD (160 GB min.)
-CFSTS CFast 4 GB
-CFSTM CFast 8 GB
-CFSTL CFast 16 GB
-CFSTDS Primary CFast 4GB
..... Secondary CFast 4GB
-CFSTDL..... Primary CFast 8 GB
..... Secondary CFast 4 GB
- Slide in Equipment:
Blank..... No Slide in Slot
-DVDRW DVD DL writer
-SHD Standard HDD (500 GB min.)
-PSD..... Performance SSD (60 GB min.)
-SSD Standard Capacity SSD (80 GB min.)
- Optional Equipment:
Blank..... No Additional Options
-R True Mirror RAID¹
-COM COM Expansion Board RS-232C/422/485
-RCOM..... Com port + RAID¹
-2COM 2 Com Expansion Board RS-232 C1 422/485
- Software:
Blank..... No Software
-WGP WinGP v.3.x²
- Mounting Style:
Blank..... Bezel
-OF..... Open frame (rear mount)

Note: Please contact your sales representative to determine if the PC configuration is available as a standard option. There may be longer lead time for certain nonstandard configurations that require a Product Modification.

¹ For RAID, Select main storage drive and identical slide in equipment.
² Not for RAID

Pro-face America
Phone: 734.477.0060
Fax: 734.864.7347
www.profaceamerica.com

Customer Service Hotline: 800-289-9266

For more information
ACCESS www.profaceamerica.com

Pro-face
for the best interface